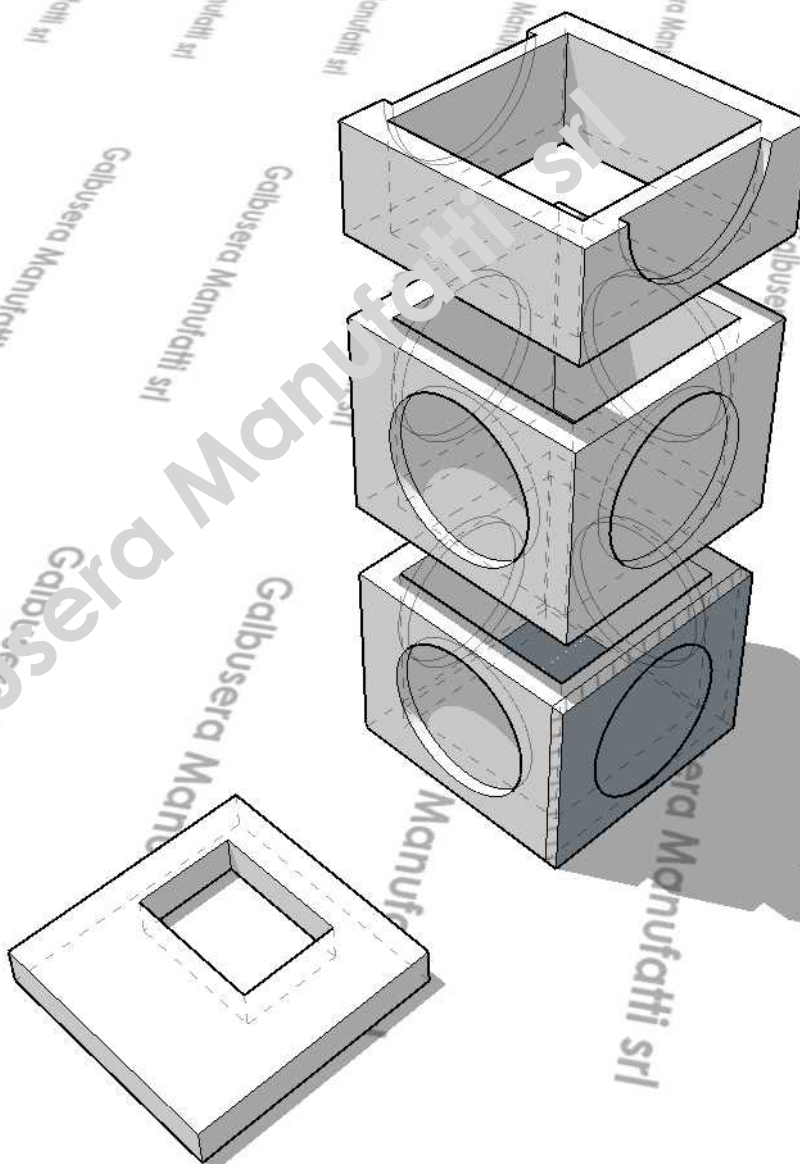
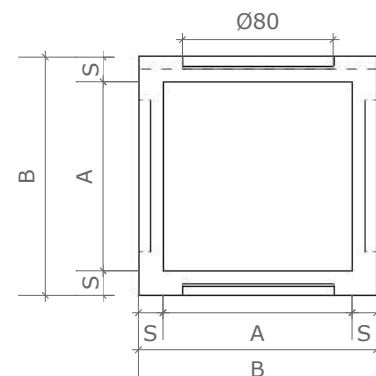
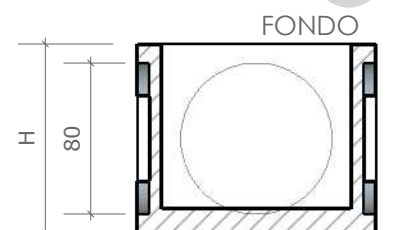
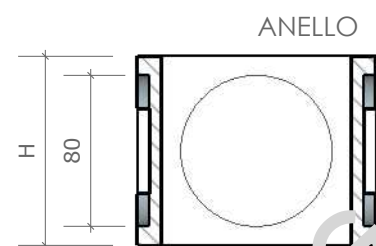
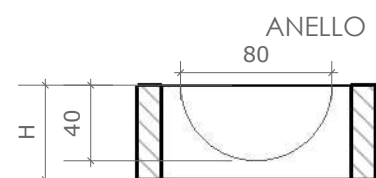
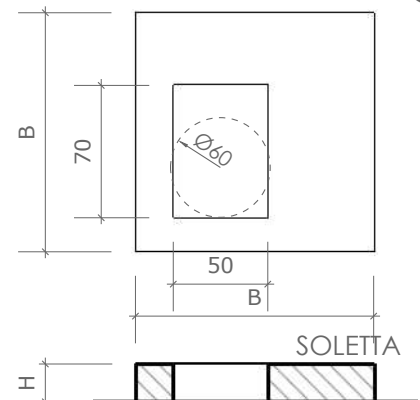


CAMERETTA 100X100 INTERNA



Elemento	A-A	B-B	H	S	Peso
	cm	cm	cm	cm	kg
Fondo	100x100	126x126	100	13	1400
Anello	100x100	126x126	100	13	1200
Anello	100x100	126x126	50	13	700
Soletta	-	126x126	20	-	600