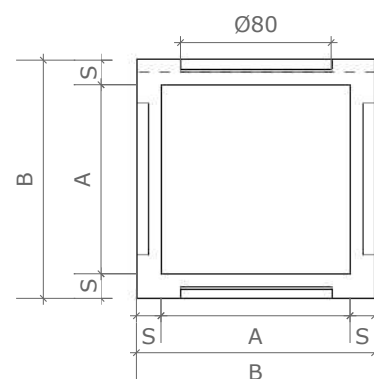
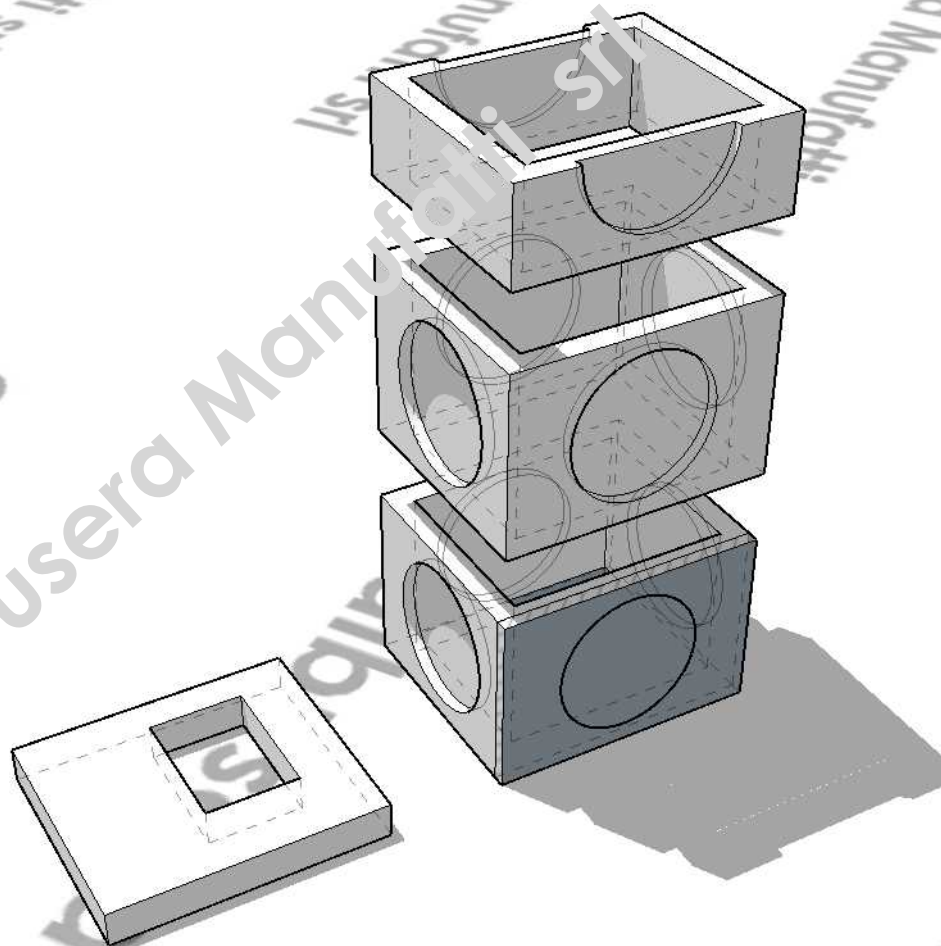
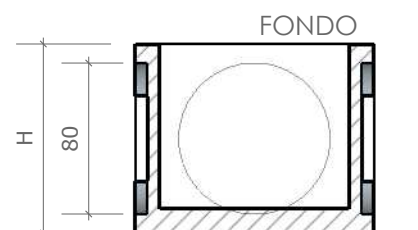
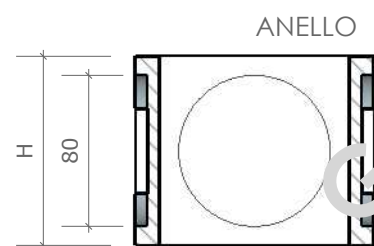
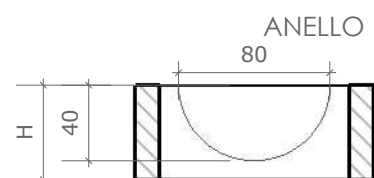
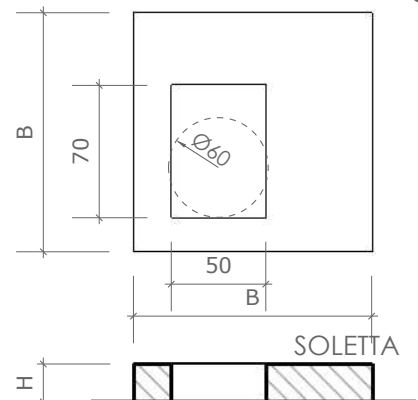


## CAMERETTA 100X120 INTERNA



Elemento	A-A	B-B	H	S	Peso
	cm	cm	cm	cm	kg
Fondo	100x120	126x146	100	13	1700
Anello	100x120	126x146	100	13	1400
Anello	100x120	126x146	50	13	750
Soletta	-	126x146	20	-	650